

Ashland

P U M P

SWH150 SEWAGE PUMP

FEATURES

- Heavy duty cast iron
- Oil-filled continuous duty PSC motor
- Vortex impeller
- 2" NPT Flanged Discharge, 3" NPT Optional

*Honest
Professional
Dependable*

1899 Cottage Street, Ashland, Ohio 44805

Telephone: 855 281-6830 · Fax: 877 326-1994

ashlandpump.com



SWH150 - 1-1/2 HP Submersible Sewage Pump

TECHNICAL DATA

Physical Data:

DISCHARGE SIZE **2" NPT Flanged Discharge, 3" NPT Optional**

IMPELLER TYPE **Vortex - Cast Iron**

CABLE LENGTH **20'**

Liquid Handling:

SOLIDS SIZE **2"**

MAXIMUM LIQUID TEMP. **104°F - Intermittent**

ACCEPTABLE PH RANGE **6-8**

Temperature:

WINDING INSULATION TEMPERATURE **130°C**

Technical Data:

POWER CORD TYPE **SOW**

MOTOR HOUSING **Cast Iron**

CASING **Cast Iron**

IMPELLER **Cast Iron**

MOTOR SHAFT **SS430**

HARDWARE **SST**

"O" RINGS **NBR**

SEALS **Single Mechanical, Carbon Ceramic**

UPPER BEARING **6203**

LOWER BEARING **6203**

ELECTRICAL DATA

R.P.M. **3450**

MOTOR TYPE **PSC/Induction**

GENERAL INSULATION CLASS **B**

STATOR WINDING CLASS **B**

MAXIMUM STATOR TEMPERATURE **130°C**

VOLTAGE TOLERANCE **±10%**

MOTOR PROTECTION **Thermally Protected**

HP **1-1/2**

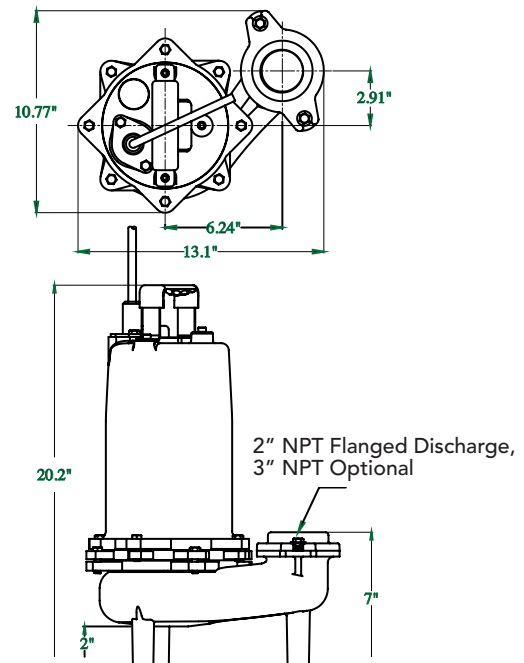
VOLTAGE **230/460/208**

PHASE **1/3**

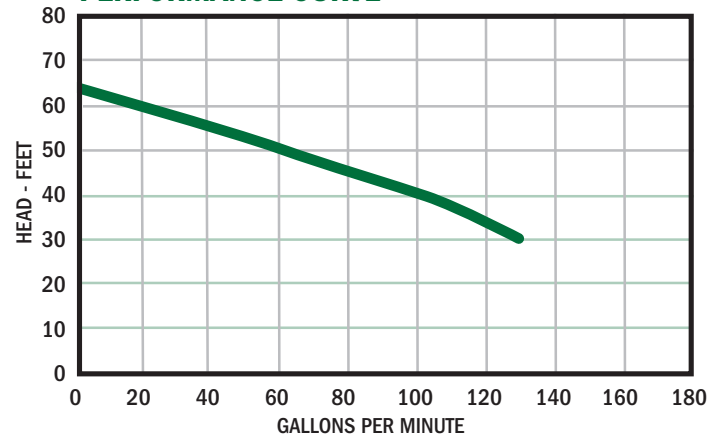
SERVICE FACTOR **1**

FULL LOAD AMPS **230V/1PH/13.8
230V/3PH/7.6
460V/3PH/3.8
208V/1PH/15
208V/3PH/7.8**

DIMENSIONAL DATA



PERFORMANCE CURVE



PERFORMANCE CHART

Total Lift(feet)	20	30	40	50	64
GPM	-	128	103	60	0



P U M P

Honest, Professional, Dependable

1899 Cottage Street, Ashland, Ohio 44805
Telephone: 855 281-6830 · Fax: 877 326-1994 · ashlandpump.com